

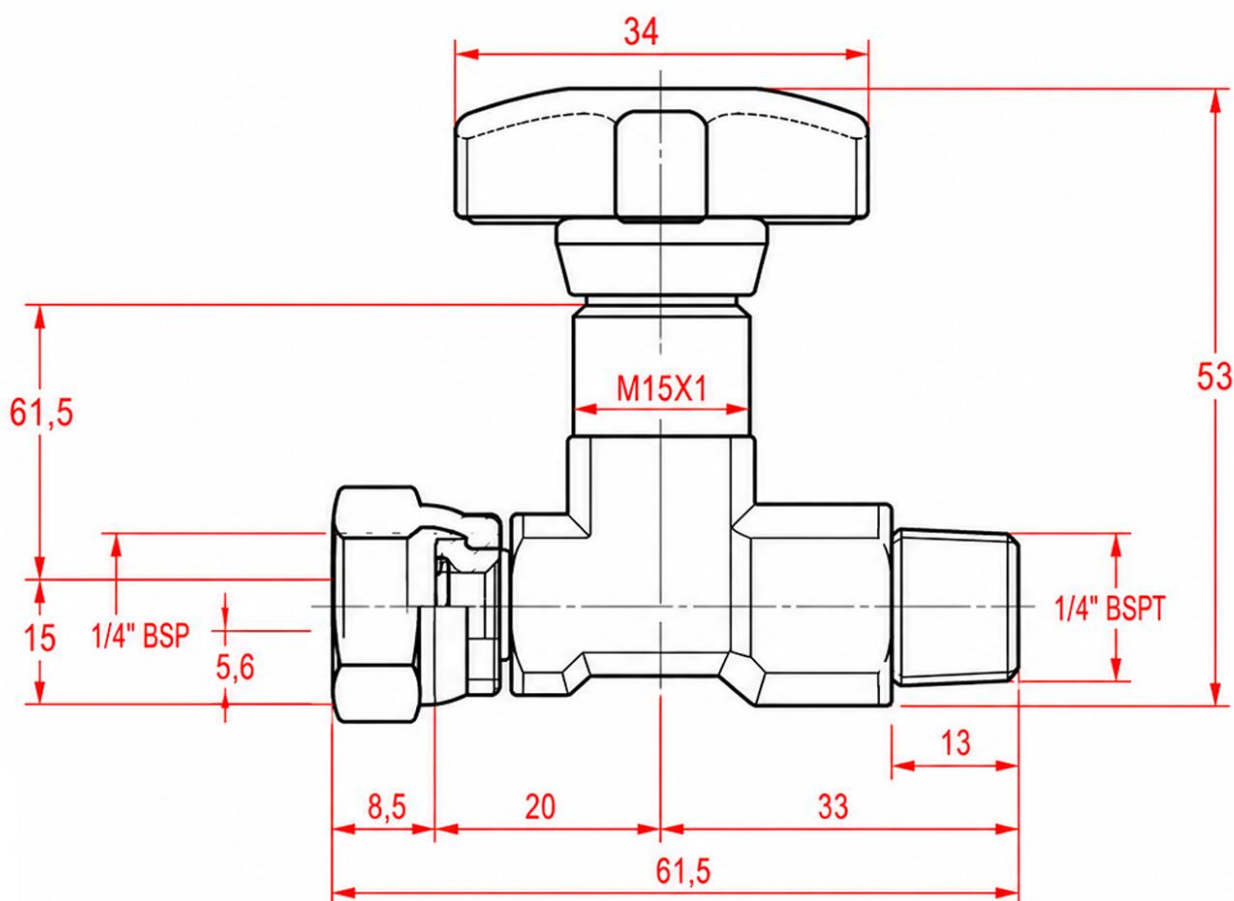
DIMENZIJE - TEHNIČNI LIST

DIMENSIONS - TECHNICAL DATA SHEET

HIDRAVLIČNI VENTIL ZA MANOMETER

HYDRAULIC VALVE FOR MANOMETER

100578



ŠIFRA / CODE	NAVOJ / THREAD [""]	TEMPERATURN OBMOČJE / TEMPERATURE RANGE [°C]	MAKS. PRITISK / MAX. PRESSURE [bar]	MATERIAL
100578	1/4	-20 +100	350	Telo / Body – Kovana medeninasta zlitina, nikljana / Forged brass alloy, nickel plated Notranji deli / Internal Parts – Jeklo / Steel

